

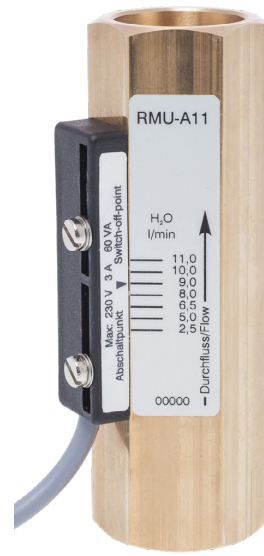


MASTERPIECES
MADE IN GERMANY

Flow Monitor

RMU-A

H₂O



OVERVIEW

Operation

- Float measuring principle

Application

- Cooling systems and cooling circuits
- Mechanical engineering
- High pressure cleaners
- Research & Development

Features

- Universal orientation
- High reliability
- Low sensitivity to dirt
- Infinitely variable switch point adjustment by operator
- High pressure resistance
- Threaded connection, special thread on request

Installation information

- The operating instructions for RMU-A Module BASICS must be observed!
- **Download: www.meister-flow.com**

OPERATING DATA

Operating pressure, max.	250 bar (Brass version)
Pressure drop:	
RMU-A11	25 - 175 mbar
RMU-A15	85 - 250 mbar
Temperature, max.	100 °C (optional 160 °C)
Measuring accuracy	±10 % of full scale

MEASURING RANGES

Type	Switch range for H ₂ O at 20 °C ⁽¹⁾		
	l/min	gph	gpm
RMU-A11	2,5 – 11	40 – 175	
RMU-A15	5 – 15,5	80 – 245	

⁽¹⁾ The specified measuring- / switch ranges are valid for water having a density of 1.00 kg/dm³, vertical installation of the device and flow direction from bottom to top.

Other installation positions or deviation from the operating densities will increase the measurement error specified in the data sheet.

Operating density for water at 20 °C and 1.013 bar (absolute value): 1.00 kg/dm³.

Upon request, special scales for deviating media, different operating conditions and installation positions (only for devices which can be installed in any position) are available.

The specified switch values are switch-off points, i.e. switch values by decreasing flow.

Other measuring- /switch ranges are available upon request.

MATERIALS

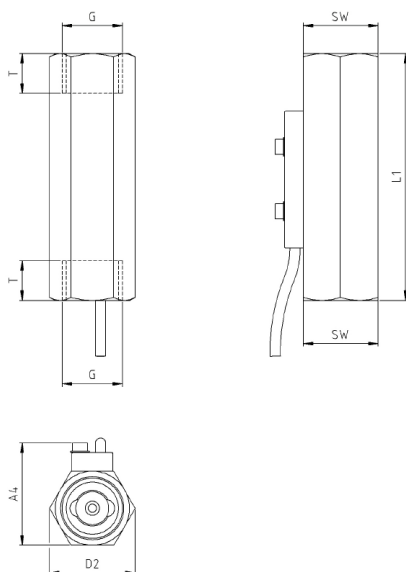
Brass version, wetted parts	
Spring:	1.4571
Float:	Brass
Magnets:	Hard ferrite
Device body:	Brass



Proudly Distributed By

TRIDENT AUSTRALIA
FLUID SYSTEMS & COMPONENTS

TECHNICAL DRAWING



SUMMARY OF TYPES

Type	Overall dimensions [mm]											Weight approx. [g] ⁽³⁾
	G ⁽²⁾	DN	SW	L1	L2	D1	D2	A1	A2	A3	A4	
RMU-A11	1/2"	15	27	90	-	-	31,2	-	-	-	~37,5	350
RMU-A15	1/2"	15	27	90	-	-	31,2	-	-	-	~37,5	350

⁽²⁾ NPT thread on request

⁽³⁾ Connection cable weight, 2 m approx. 80 g

RMU-A 3 0001 12-15 EM

■ ELECTRICAL DATA

Normally open (NOC) 230V · 3A · 60VA

■ ELECTRICAL CONNECTION

– Cable (1 m)

Ingress Protection

IP67: Cable

Output signal

The contact opens when the flow decreases below the set point.

Power supply

Not required (potential-free reed contacts)

Connector types

Other cable lengths on request

■ CONNECTION DIAGRAM



RMU-A 4 0001 12-15 E M

Meister Strömungstechnik GmbH • Im Gewerbegebiet 2 • 63831 Wiesen / Germany
Tel. +49 (0) 6096 9720-0 • Fax +49 (0) 6096 9720-30 • sales@meister-flow.com • www.meister-flow.com
The general business terms of Meister Strömungstechnik GmbH are valid • All rights reserved

